


NOTES:

1. Material: cast iron
2. Natural finish
3. Due to casting inconsistencies all dimensions are nominal

 **IRON AGE** 2104 SW 152nd St #4 TEL 206.276.0925
DESIGNS Burién, WA 98166 FAX 206.257.0318
 www.ironagedesigns.com

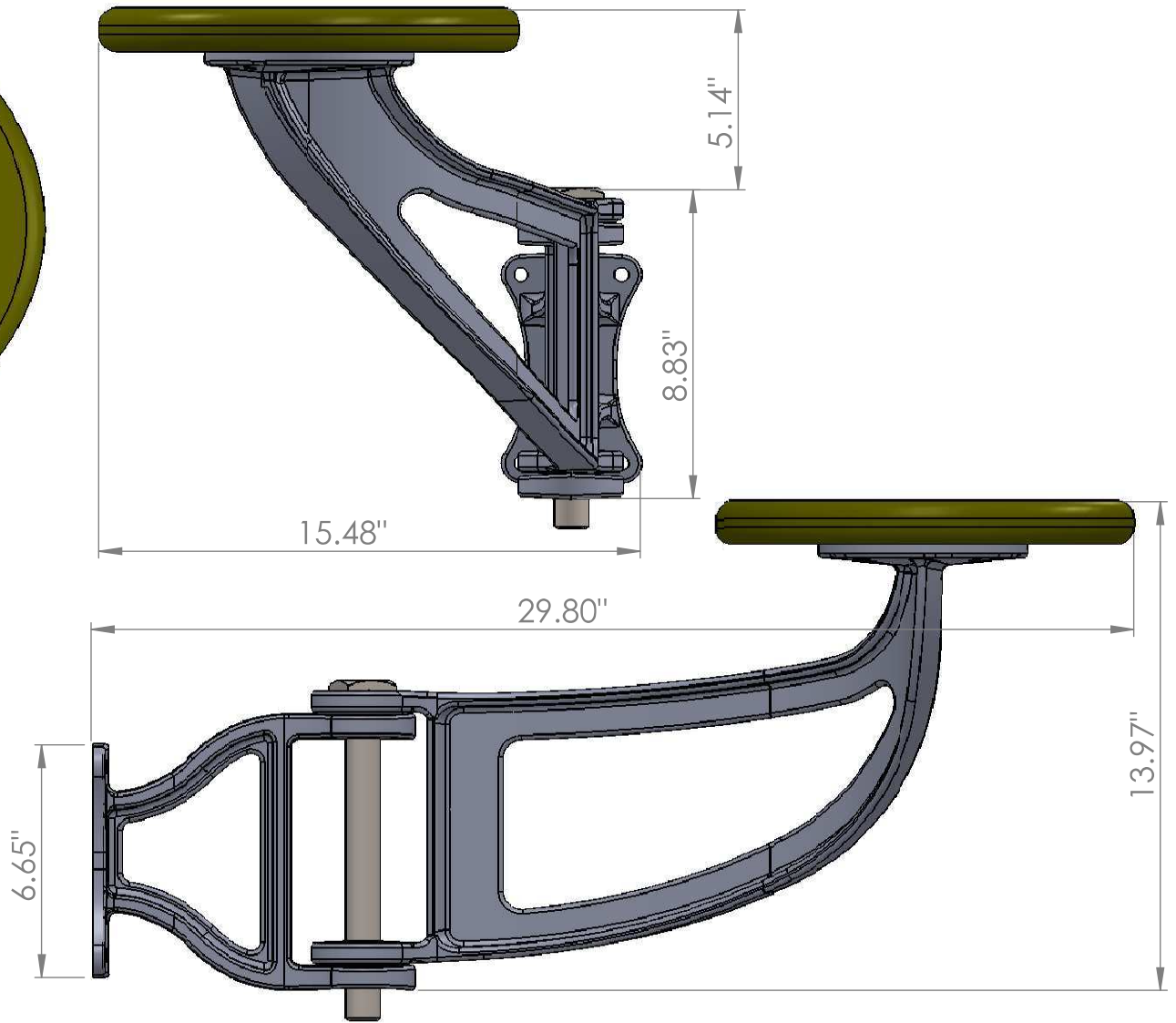
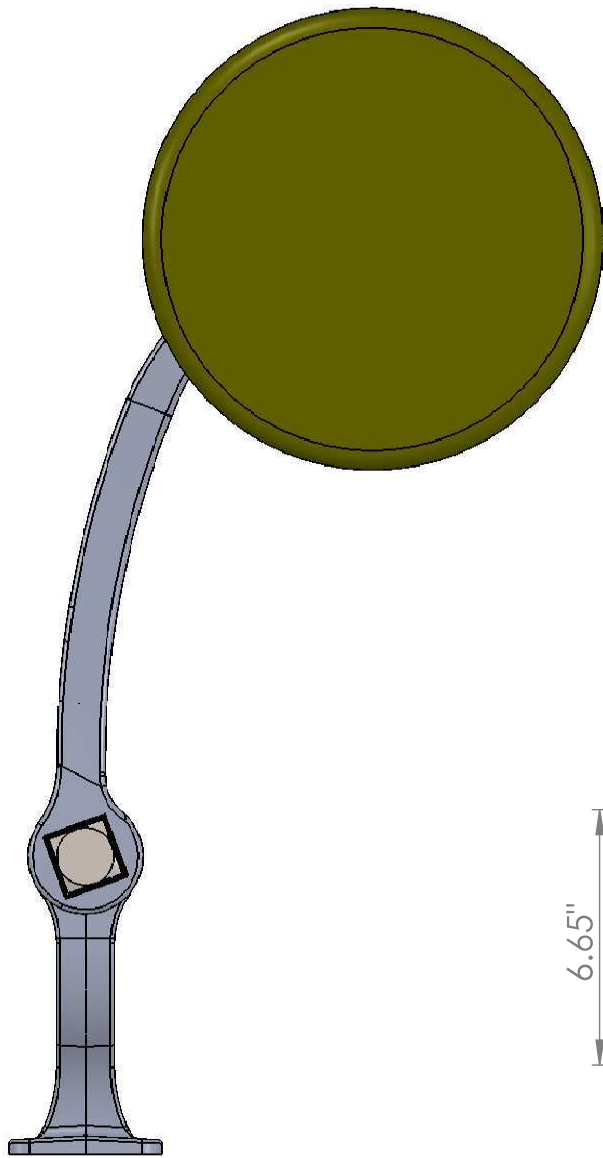
Swing Arm Left

Drawn by: JH
 Date: 3/9/12
 Scale: NTS

DWG. NO.


Registration Number:
 VA 2-007-103

© 2012 Iron Age Designs



NOTES:

1. Material: cast iron
2. Natural finish
3. Due to casting inconsistencies all dimensions are nominal

 **IRON AGE** 2104 SW 152nd St #4 TEL 206.276.0925
DESIGNS Burién, WA 98166 FAX 206.257.0318
 www.ironagedesigns.com

Swing Arm Left

Drawn by: JH
 Date: 3/9/12
 Scale: NTS

Registration Number:
 VA 2-007-103

DWG. NO.

© 2012 Iron Age Designs