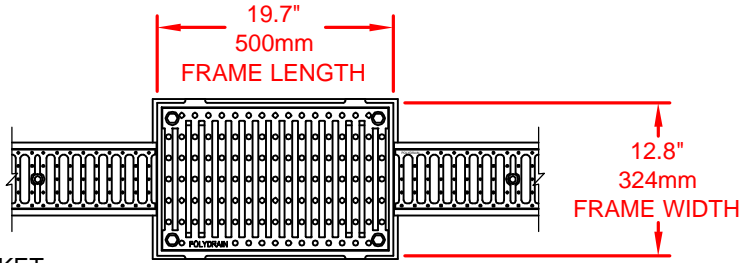


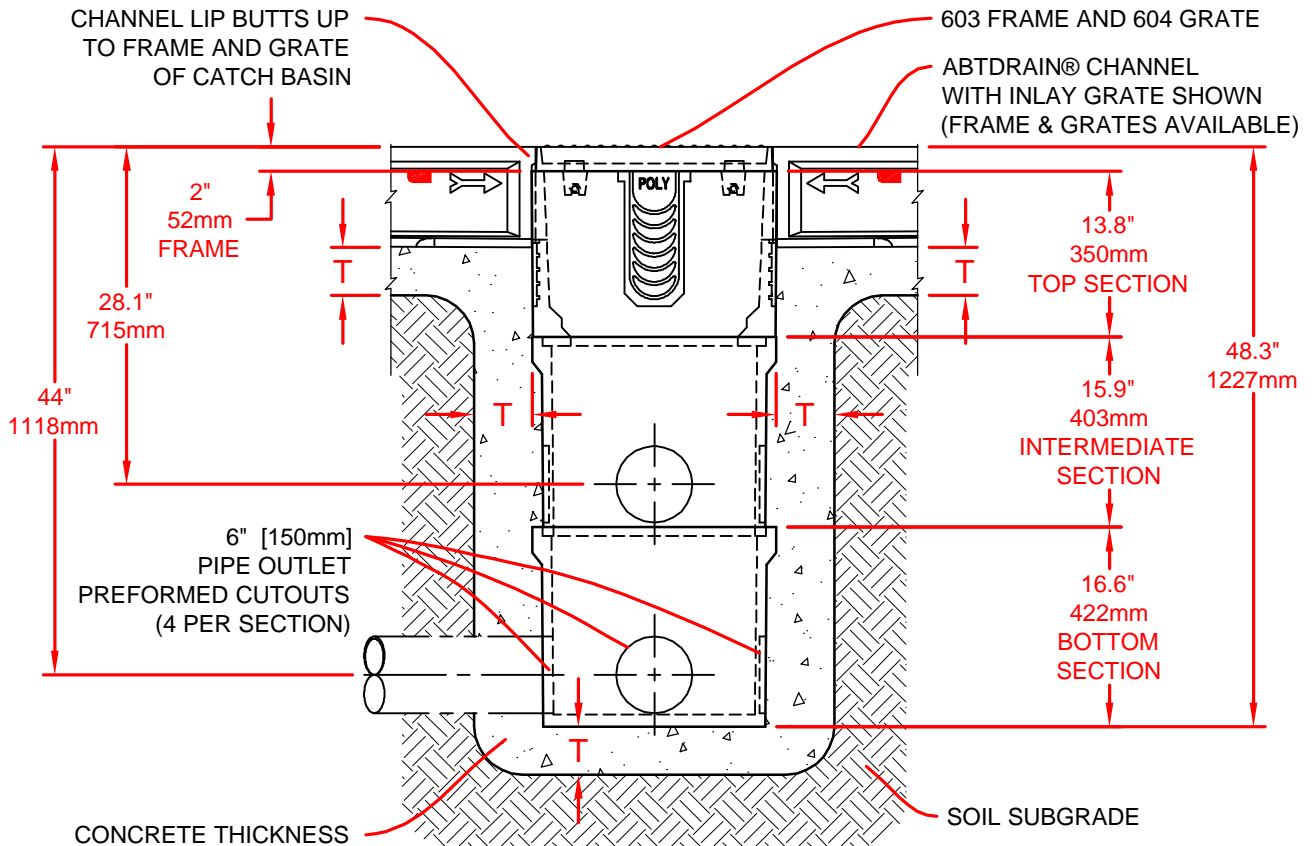
# 611 CATCH BASIN

- INCLUDES:  
 600 - TOP SECTION  
 601 - INTERMEDIATE SECTION  
 602 - BOTTOM SECTION  
 603 - CAST IRON FRAME  
 604 - CAST IRON GRATE

- OPTIONAL:  
 607 - GALVANIZED TRASH BUCKET  
 609 - STAINLESS TRASH BUCKET  
 616 - STEEL SOLID COVER



**PLAN VIEW**



**ELEVATION VIEW**

**T = FLOOR SLAB THICKNESS, OR 4" MIN. [100mm], OR SPECIFICATION (WHICHEVER IS GREATER)**

**NOTE: YOU ARE NOT LIMITED TO THE OUTLETS SHOWN. OUTLETS AS LARGE AS 12" [300mm] MAY ALSO BE CUT OUT ON ANY OF THE SIDES OF THE 611 CATCH BASIN.**



**ABT, INC.**  
 P.O. BOX 837, 259 MURDOCK ROAD  
 TROUTMAN, NC 28166  
 (704) 528-9806

SPECIFICATION DRAWING © 2002 ABT, Inc.  
**LARGE CATCH BASIN**  
**611 (600, 601, 602, 603, 604)**  
 FILE: **S-2611-02** PART: **610, 607, 609, 616**

Proprietary rights of ABT, Inc. are included in the information disclosed herein. The recipient, by accepting this document, agrees that neither this document nor the information disclosed herein nor any part thereof shall be copied, reproduced or transferred to others for manufacturing or for any other purpose except as specifically authorized in writing by ABT, Inc.

**DISCLAIMER :** The customer and the customer's architects, engineers, consultants and other professionals are completely responsible for the selection, installation, and maintenance of any product purchased from ABT, and EXCEPT AS EXPRESSLY PROVIDED IN ABT'S STANDARD WARRANTIES, ABT MAKES NO WARRANTY, EXPRESS OR IMPLIED, AS TO THE SUITABILITY, DESIGN, MERCHANTABILITY, OR FITNESS OF THE PRODUCT FOR CUSTOMER'S APPLICATION. Copies of ABT's standard warranties are available upon request.