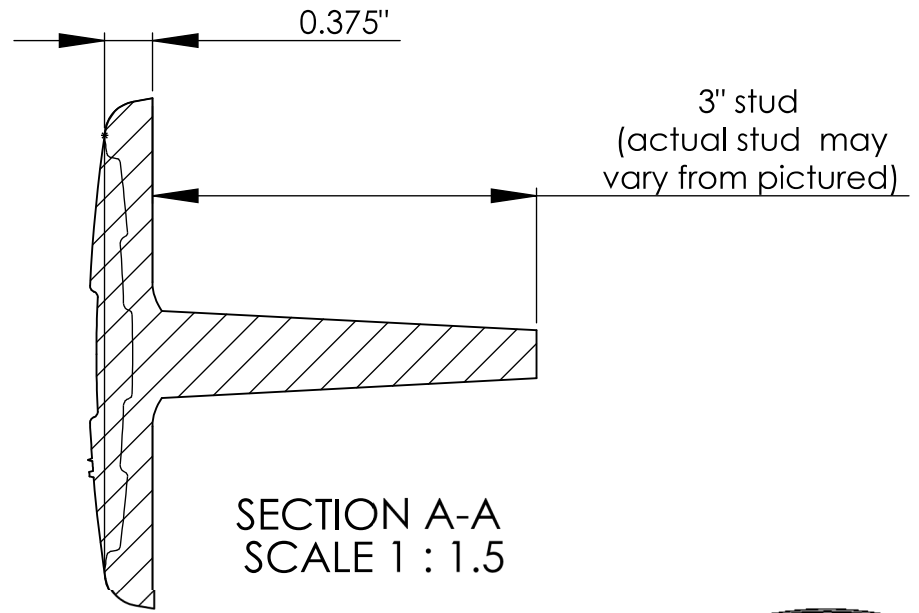
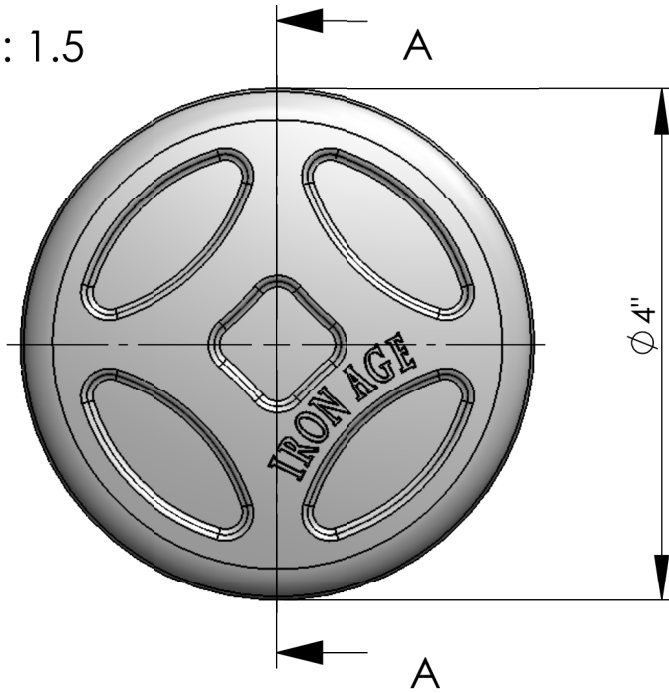
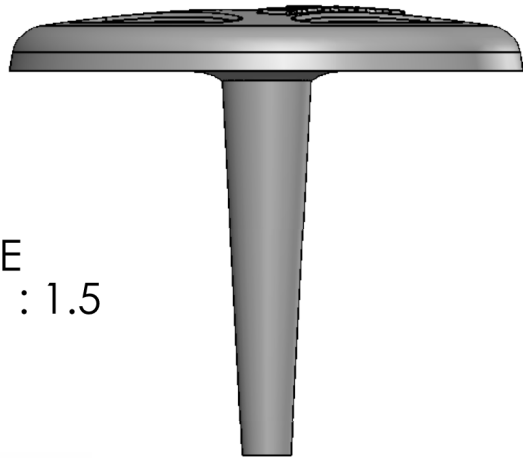


TOP  
SCALE 1 : 1.5



EDGE  
SCALE 1 : 1.5



**NOTES:**

1. Material: cast iron
2. Finish: Natural
3. Total Thickness: .375"
4. Stud style may vary
5. Weight: approx. 1 to 1½ lbs.
6. Due to casting inconsistencies all dimensions are nominal



**IRON AGE** 2104 SW 152nd St #4 TEL 206.276.0925  
 Burien, WA 98166 FAX 206.257.0318  
 DESIGNS www.ironagedesigns.com

Interlaken 4" Dia. Raised Pavement Marker

JOB NO. \_\_\_\_\_ Drawn by: JH  
 DWG. NO. INT.P-nail.4"dia Date: 6/7/16  
 Scale: NTS