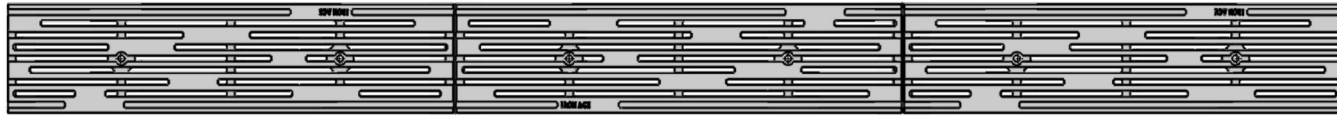


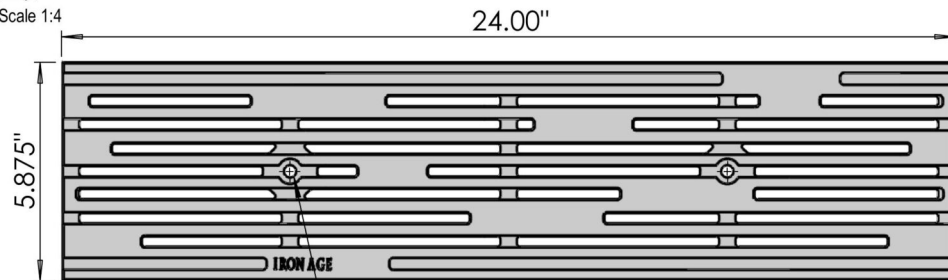
**Array 3x**

Scale 1:8



**Top**

Scale 1:4



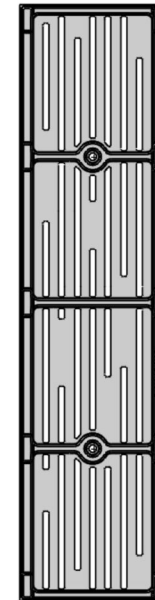
2x 1/4-20 Std Bolt down

0.8125"

**Edge**  
Scale 1:4



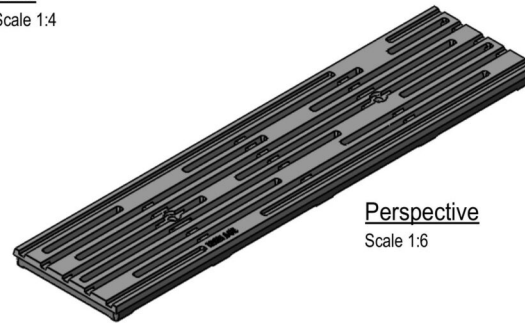
**Bottom**  
Scale 1:6



**Side**  
Scale 1:4



**RNN624HP** Casting Identifier



**Perspective**  
Scale 1:6

**Notes:**

1. Heel Proof: No openings greater than 1/4".
2. Due to casting inconsistencies, all dimensions are nominal.

©2018 Iron Age Designs

**RAIN 6"x24" Heelproof Trench Grate**

**IRON AGE**  
DESIGNS  
Telephone 206.276.0925  
www.ironagegrates.com

Material: Cast Ductile Iron  
Standard Finish: Natural  
Fits: NDS Duraslope

Weight: 10.8 lbs.  
Edge Thickness: 0.8125"

Free Area (approx): 30.556"sq (21.6%)  
Gallon/ Min (approx): sq area x FDA x1.31=40.0  
Product ID: RNN624HP

© Registration: VA 2-112-777  
Job No: Scale: NTS  
By: JH Date: 1/10/18