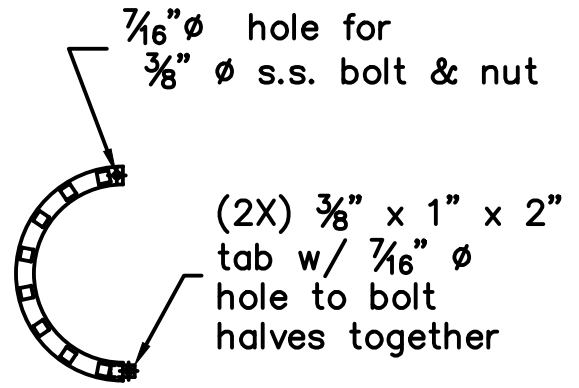
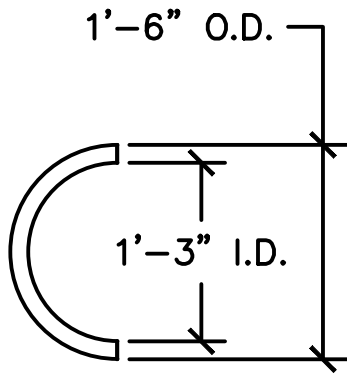
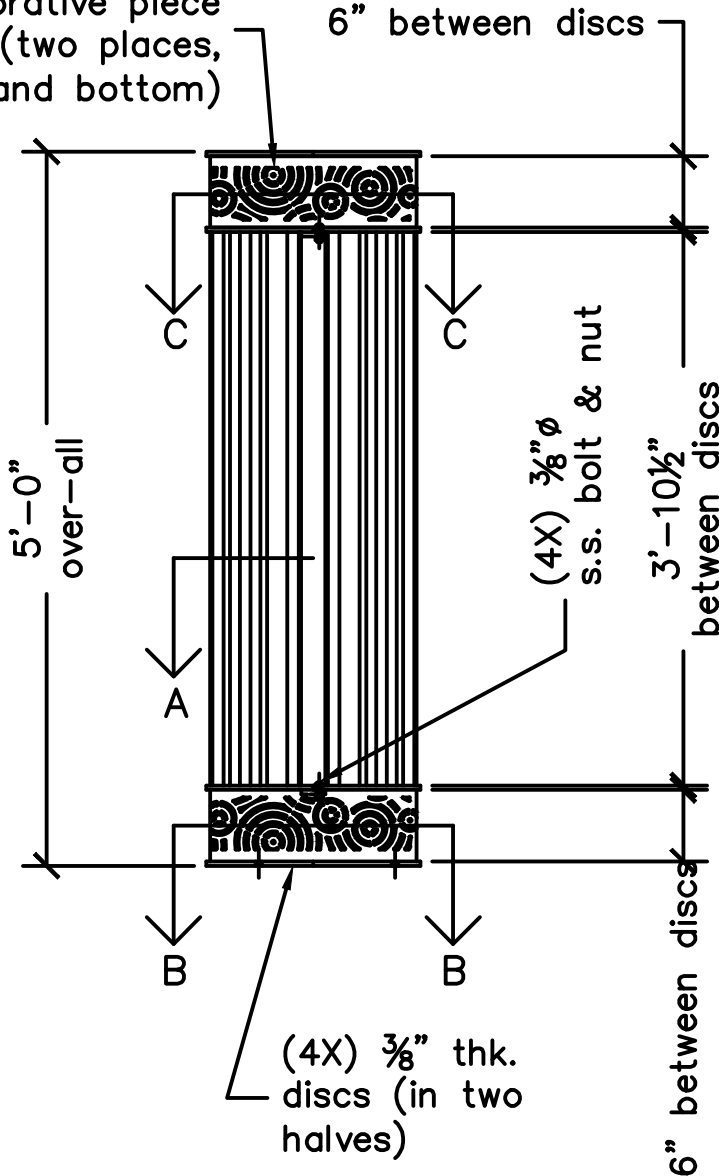


TYP. DISC
one side

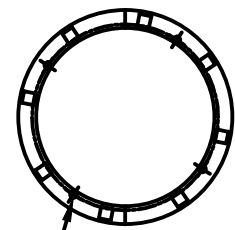


Custom lasercut decorative piece (two places, top and bottom)



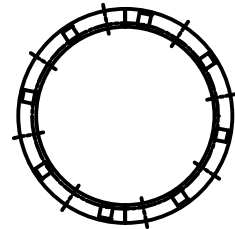
ELEVATION

X-CUT A
one side shown



(4X) 9/16" diameter hole for bolt-down.
layout: 71 3/16" R

X-CUT B-B



X-CUT C-C

NOTES:

1. Material: mild steel
2. Powder coat finish (specify color)
3. Fits Tree grates manufactured by: Iron Age™

 **IRON AGE** 2104 SW 152nd St. #4 TEL 206.276.0925
DESIGNS Burien, WA 98166 FAX 206.257.0318
www.ironagedesigns.com

Oblio Tree Guard
job no.
drawing no. 001-Oblio.Tguard

drawn by: JH
scale: NTS
date: 9/19/13