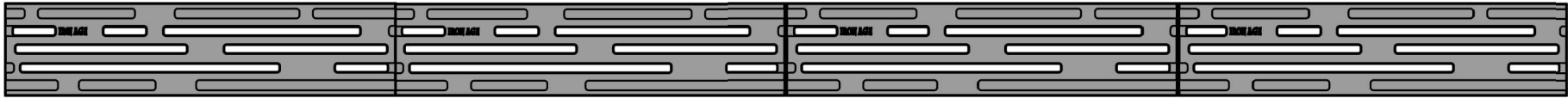
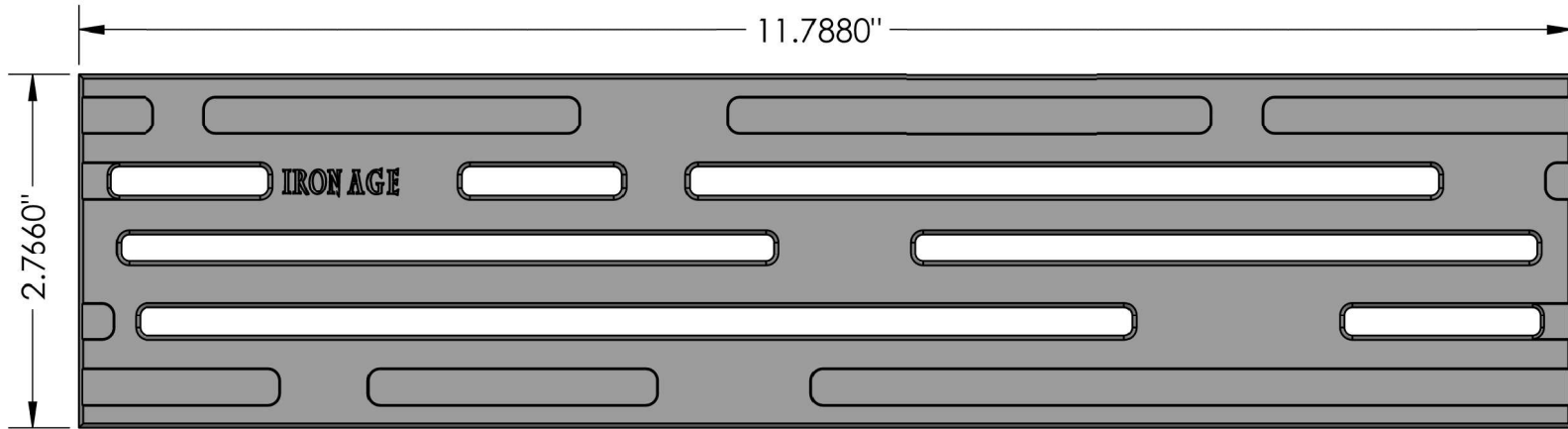


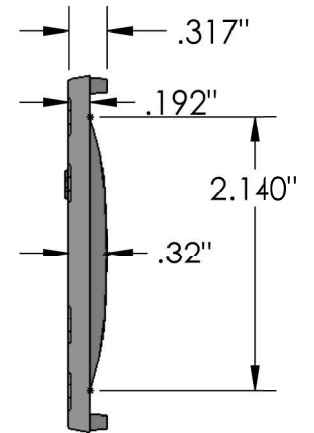
Array 4x



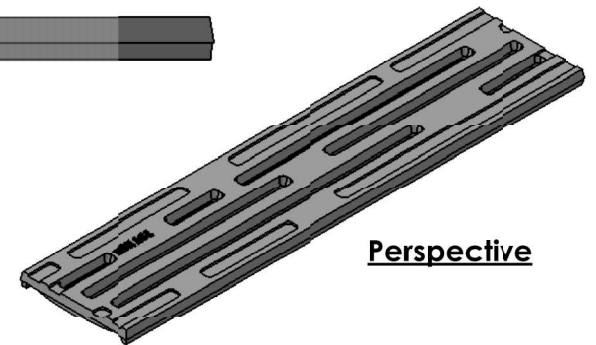
Top




Edge



Side



Perspective

 **IRON AGE** 2104 SW 152nd St #4 TEL 206.276.0925
 DESIGNS Burién, WA 98166 FAX 206.257.0318
 www.ironagedesigns.com

Rain 3"x12" Heel-Proof Trench Grate

DWG. NO. 01-RAIN.3x12_HP
 Drawn by: JH
 Date: 11/1/16
 Scale: Not to Scale

NOTES:

1. Material: Cast Ductile Iron
2. Finish: Natural
3. Edge thickness: .192" / .317"
4. Fits frame by: NDS® Mini-Channel
5. Heelproof; No openings greater than 1/4"
6. Weight approx. <2 lbs
7. Due to casting inconsistencies all dimensions are nominal