

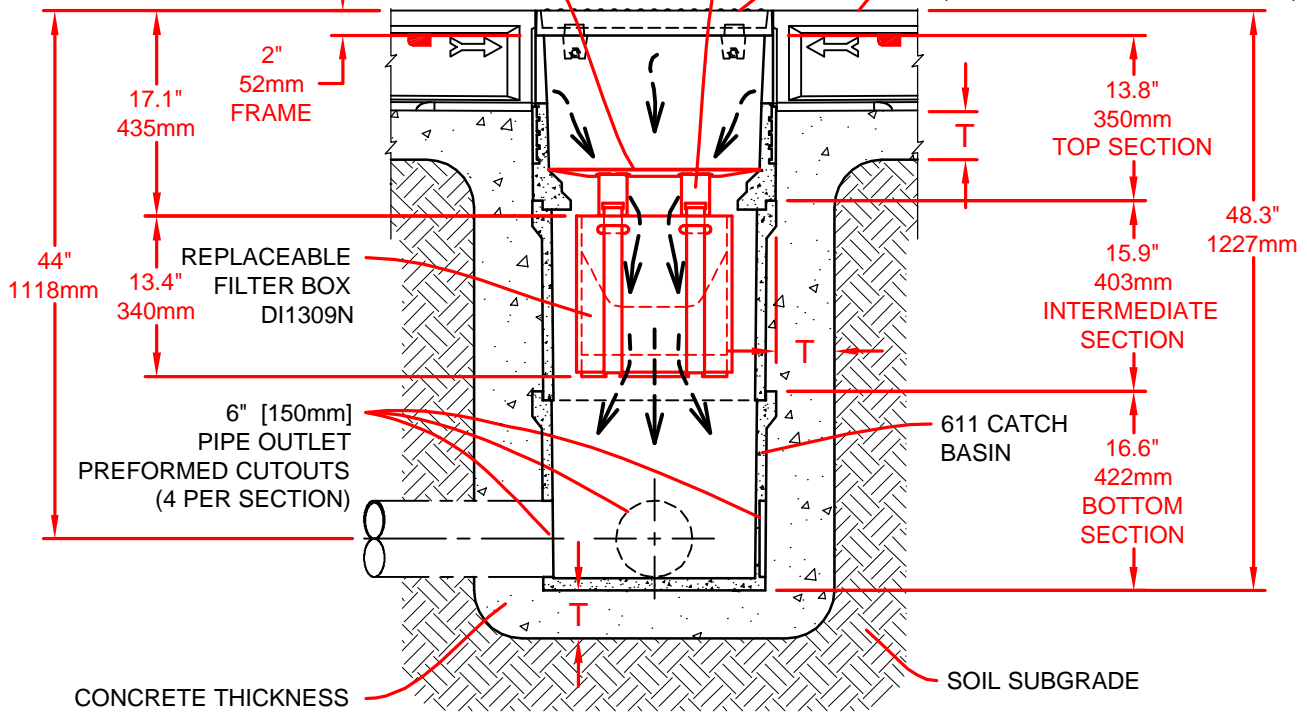
**DI1309N - FIRST FLUSH™**

DI1309FN STAINLESS STEEL FUNNEL

FILTER BOX IS SECURED TO FUNNEL

603 FRAME AND 604 GRATE

ABT-DRAIN™ CHANNEL WITH INLAY GRATE SHOWN (FRAME & GRATES AVAILABLE)



CONCRETE THICKNESS AND REINFORCEMENT PER STRUCTURAL ENGINEER'S SPECIFICATION FOR THE APPLICATION

**ELEVATION VIEW**

**T = FLOOR SLAB THICKNESS, OR 4" MIN. [100mm], OR SPECIFICATION (WHICHEVER IS GREATER)**

**NOTE: YOU ARE NOT LIMITED TO THE OUTLETS SHOWN. OUTLETS AS LARGE AS 12" [300mm] MAY ALSO BE CUT OUT ON ANY OF THE SIDES OF THE 611 CATCH BASIN. A SMALLER FILTER (DI1309H) IS AVAILABLE FOR THE 610 CATCH BASIN.**



P.O. BOX 837, 259 MURDOCK ROAD  
TROUTMAN, NC 28166  
(704) 528-9806

SPECIFICATION DRAWING © 2003 ABT, Inc.

**FIRST FLUSH™ DROP INLET FILTER FOR 611 CATCH BASIN**

FILE: **S-DI1309N-01**

PART: **DI1309N, DI1309FN**

Proprietary rights of ABT, Inc. are included in the information disclosed herein. The recipient, by accepting this document, agrees that neither this document nor the information disclosed herein nor any part thereof shall be copied, reproduced or transferred to others for manufacturing or for any other purpose except as specifically authorized in writing by ABT, Inc.

**DISCLAIMER:** The customer and the customer's architects, engineers, consultants and other professionals are completely responsible for the selection, installation, and maintenance of any product purchased from ABT, and EXCEPT AS EXPRESSLY PROVIDED IN ABT'S STANDARD WARRANTIES, ABT MAKES NO WARRANTY, EXPRESS OR IMPLIED, AS TO THE SUITABILITY, DESIGN, MERCHANTABILITY, OR FITNESS OF THE PRODUCT FOR CUSTOMER'S APPLICATION. Copies of ABT's standard warranties are available upon request.