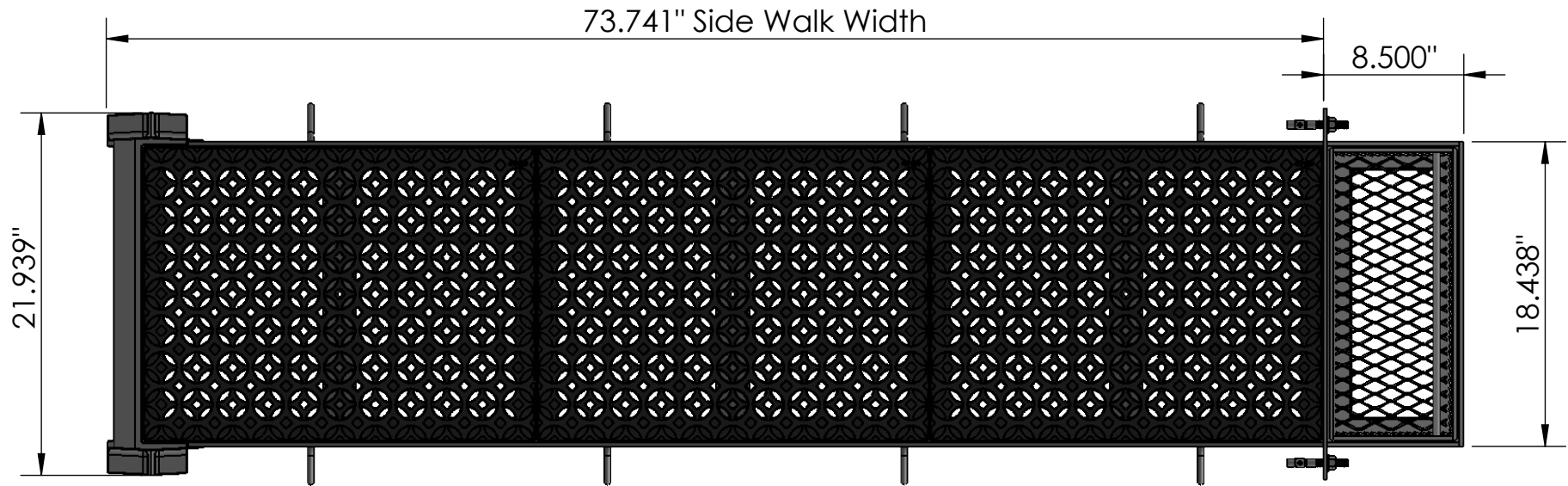


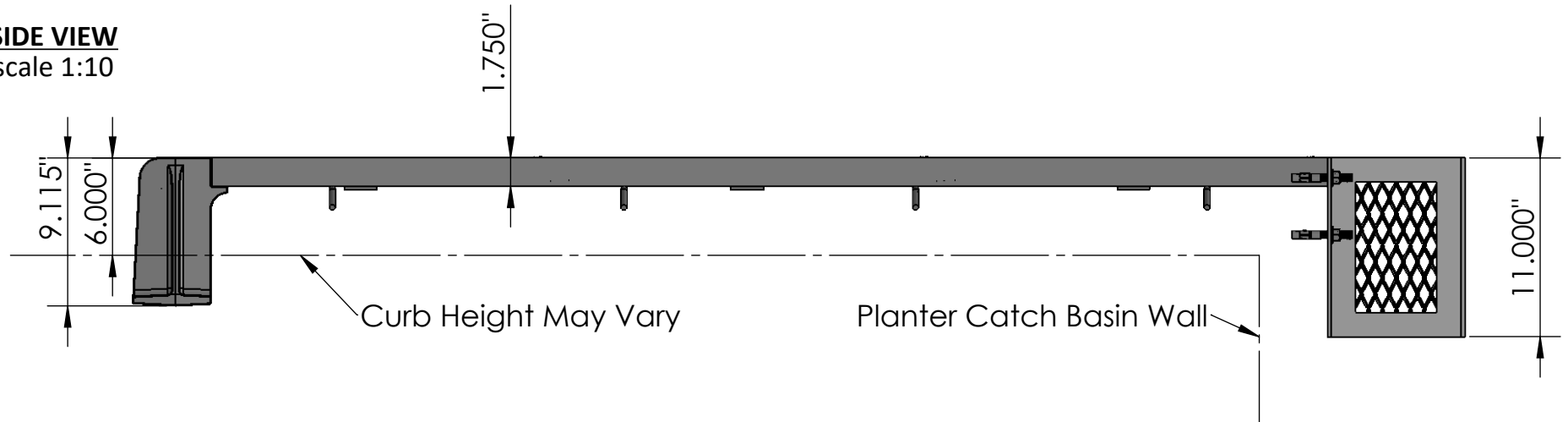
**TOP VIEW**

scale 1:10



**SIDE VIEW**

scale 1:10



**NOTES:**

- 1. Ships as 1 Unit.
- 2. Due to casting inconsistencies, all dimensions are nominal.

Made in USA

©2019 Iron Age Designs

**18" Curb Inlet with Basket Assembly**



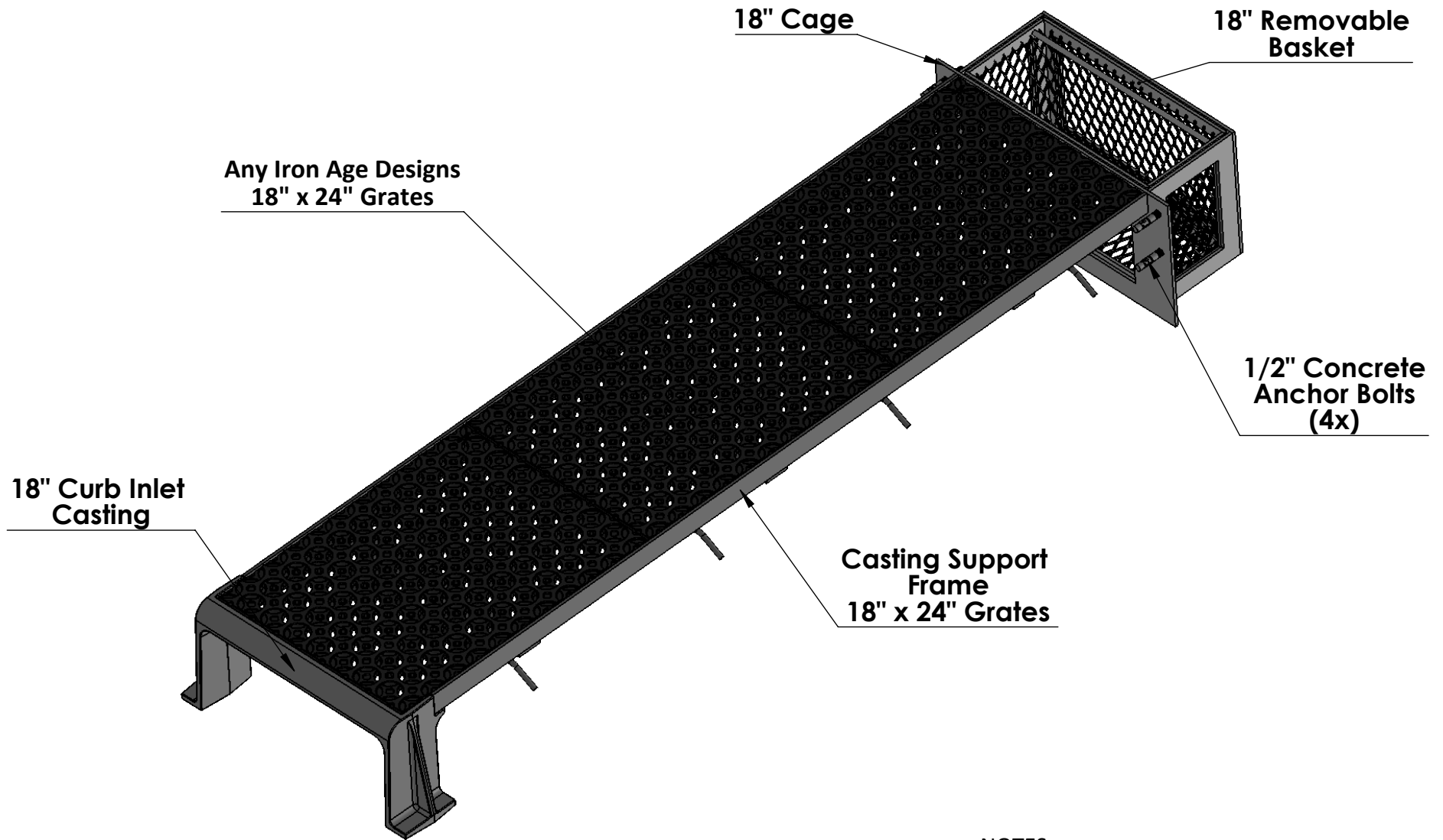
Material: Cast Ductile Iron Castings/ Mild Steel  
 Standard Finish: Raw / Powder Coat  
 Fits: Iron Age Custom Frame

Weight: approx. 300 lbs.  
 Edge Thickness: 1.50"  
 Product ID: CURBIN3-18

Free Area (approx): XX.XX"sq (XX.X%)  
 Gallon/ Min (approx): sq area x FDA x1.31= GPM  
 Drawing Name: 18"Curb Inlet with 3 grates and Basket

By: MS Date: 10/31/19  
 Job No: XXXXXXXX Scale: NTS  
 © Registration: XX-1-XXX-123

**ISO-VIEW**  
scale 1:10



**NOTES:**

1. Ships as 1 Unit.
3. Due to casting inconsistencies, all dimensions are nominal.

Made in USA ©2019 Iron Age Designs

**18" Curb Inlet with Basket Assembly**



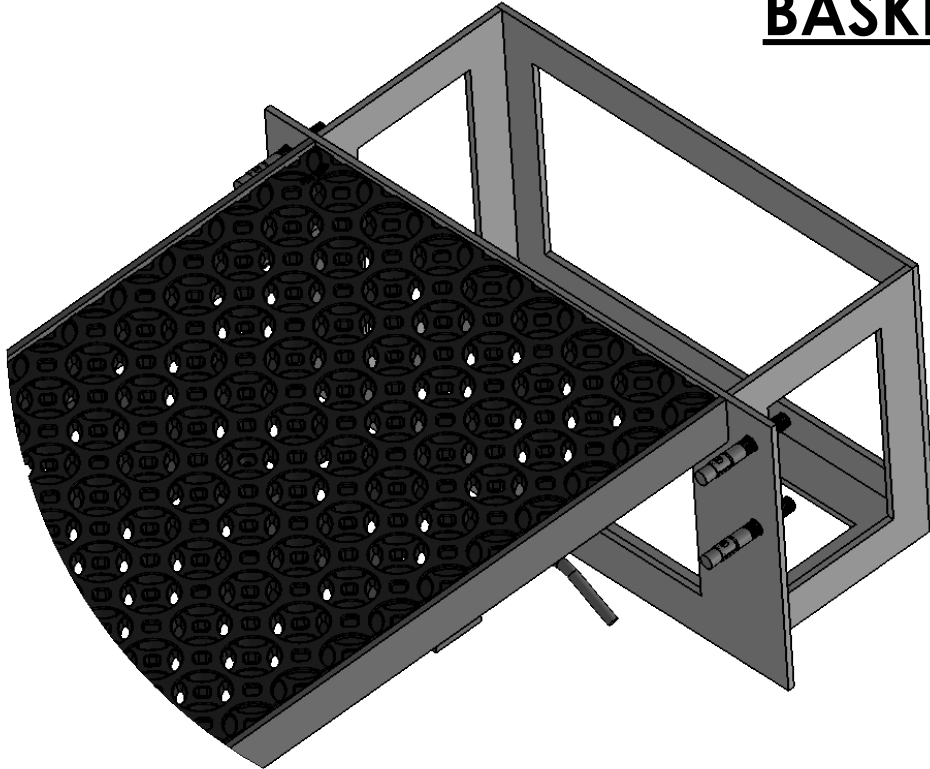
Material: Cast Ductile Iron Castings/Mild Steel  
Stainless Steel  
Standard Finish: Raw / Powder Coat  
Fits: Iron Age Custom Frame

Weight: approx. 300 lbs.  
Edge Thickness: 1.500"  
Product ID: CURBIN3-18

Free Area (approx): XX.XX"sq (XX.X%)  
Gallon/ Min (approx): sq area x FDA x1.31= GPM  
Drawing Name: 18" Curb Inlet with 3 Castings and Basket

By: MS Date: 10/31/19  
Job No: XXXXXXXX Scale: NTS  
© Registration: XX-1-XXX-123

**BASKET REMOVED**



**NOTES:**

- 2. Ships as 1 Unit.
- 3. Due to casting inconsistencies, all dimensions are nominal.

Made in USA ©2019 Iron Age Designs

**18" Curb Inlet - Basket Removed**

**IRON AGE**  
**DESIGNS**  
 Telephone 206.276.0925  
 www.ironagedesigns.com

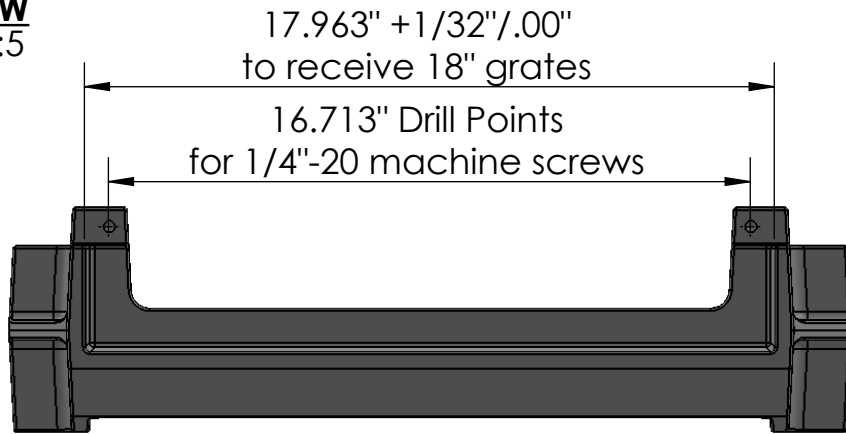
Material:  
 Standard  
 Finish:  
 Fits:

Weight:  
 Edge  
 Thickness:  
 Product ID: CURBIN3-18

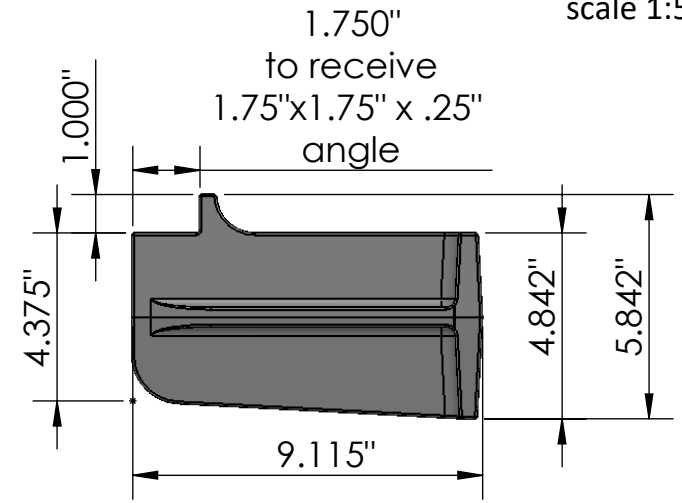
Free Area  
 (approx):  
 Gallon/ Min  
 (approx):  
 Drawing Name: 18" Curb Inlet Basket Removed

By: MS Date: 10/31/19  
 Job No: XXXXXXXX Scale: NTS  
 © Registration: XX-1-XXX-123

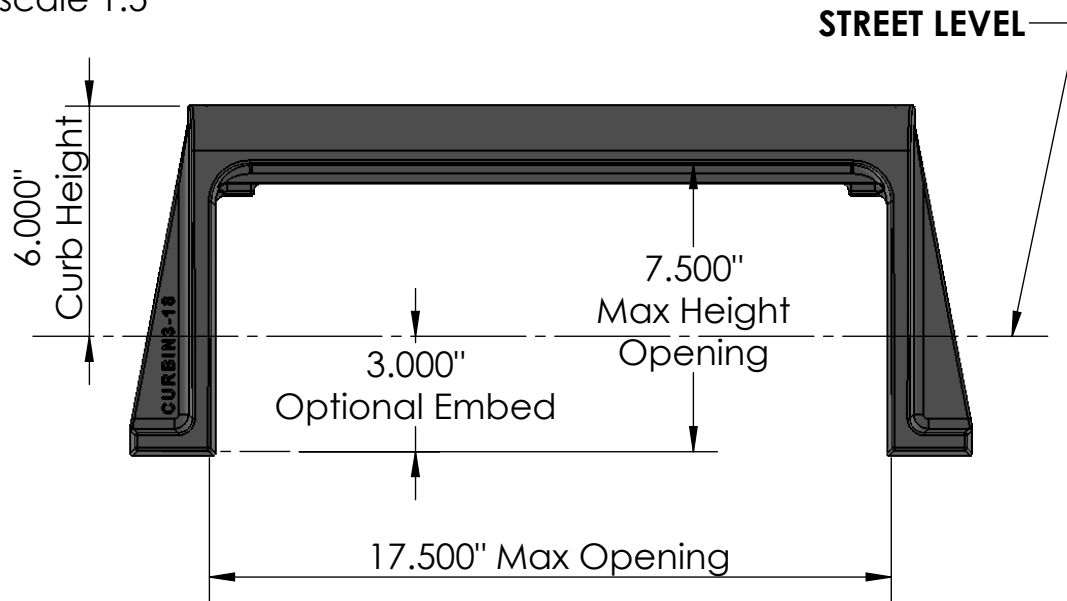
**TOP VIEW**  
scale 1:5



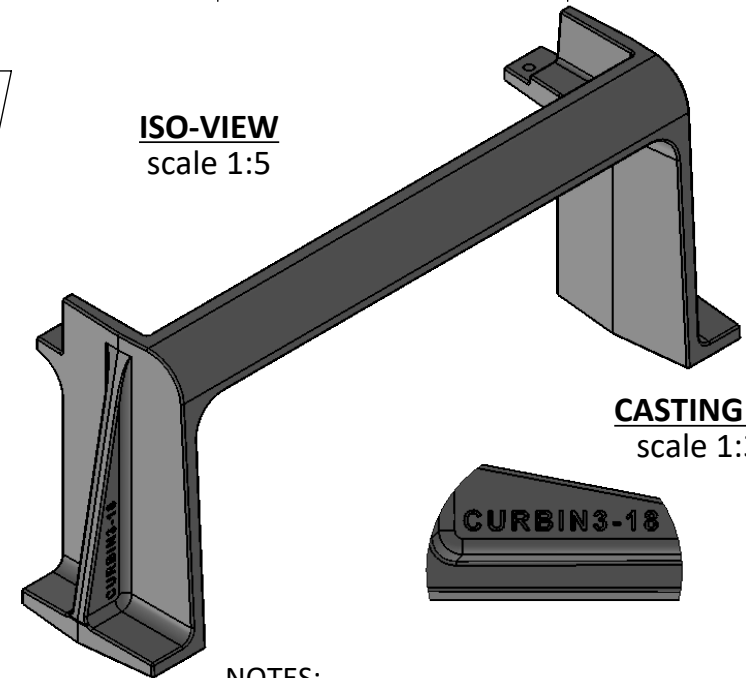
**END-VIEW**  
scale 1:5



**SIDE VIEW**  
scale 1:5



**ISO-VIEW**  
scale 1:5



**CASTING ID**  
scale 1:3



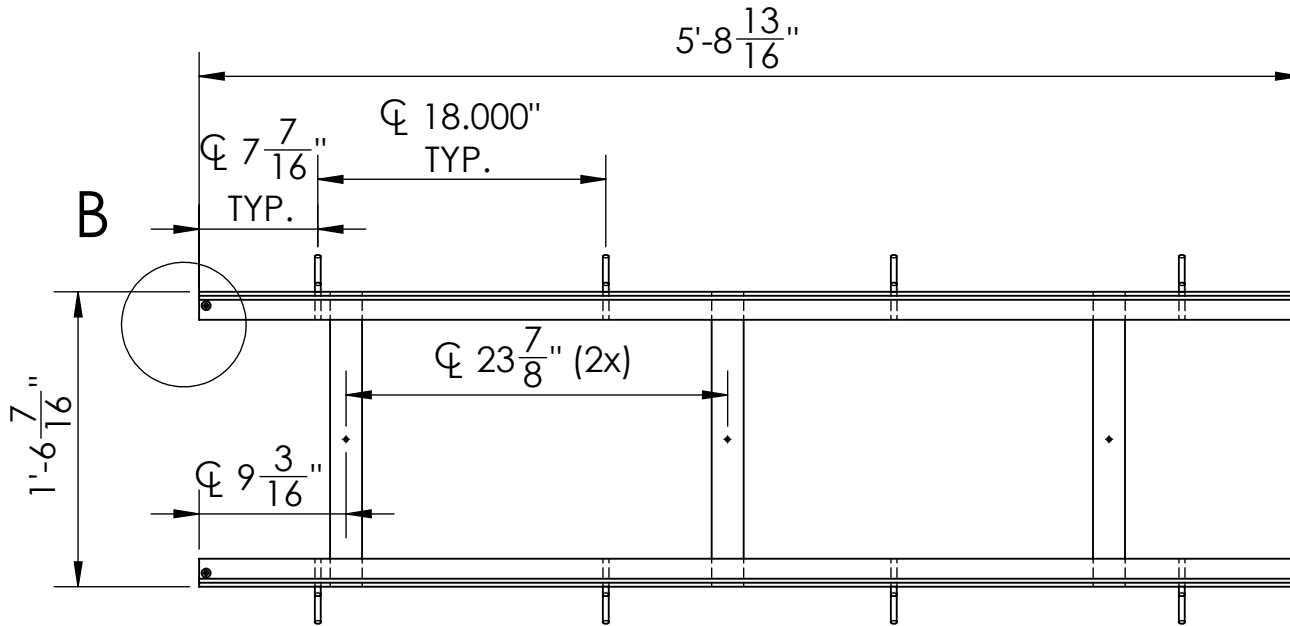
**NOTES:**

1. Ships in 1 piece.
2. Due to casting inconsistencies, all dimensions are nominal.

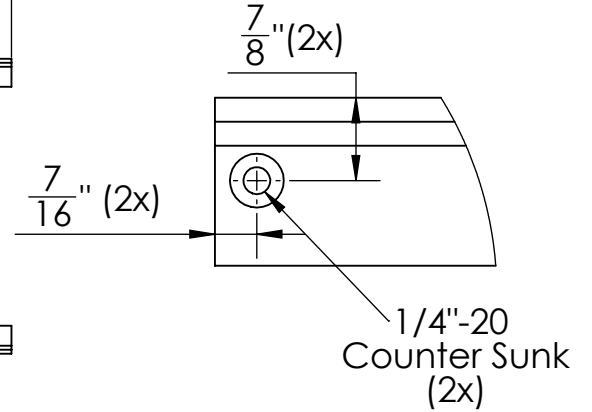
Made in USA ©2019 Iron Age Designs

**18' Curb Inlet**

**TOP VIEW**  
scale 1:12

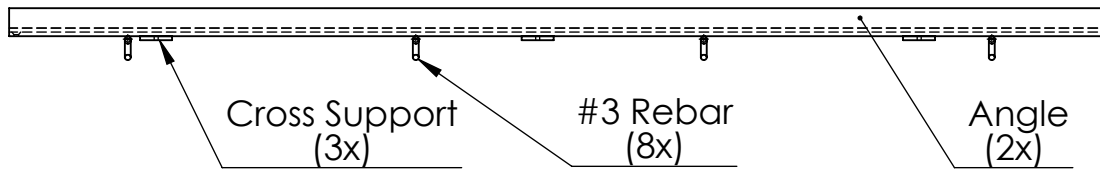


1.75" x 1.75" x .25" Angle (2x)
2" x .25" Flat Bar Cross Support (3x)
#3 Rebar / 3/8" Round (8x)



**DETAIL B**  
SCALE 1 : 2

**SIDE VIEW**  
scale 1:12



**NOTES:**

1. Heelproof: No thru openings greater than 1/4"
2. Ships in 1 piece.
3. Due to casting inconsistencies, all dimensions are nominal.

Made in USA ©2019 Iron Age Designs

**18" Curb Inlet - Custom "E" Frame**



Material: Mild Steel  
Standard Finish: Raw / Powder Coat  
Fits: 18" Curb Inlet Assembly

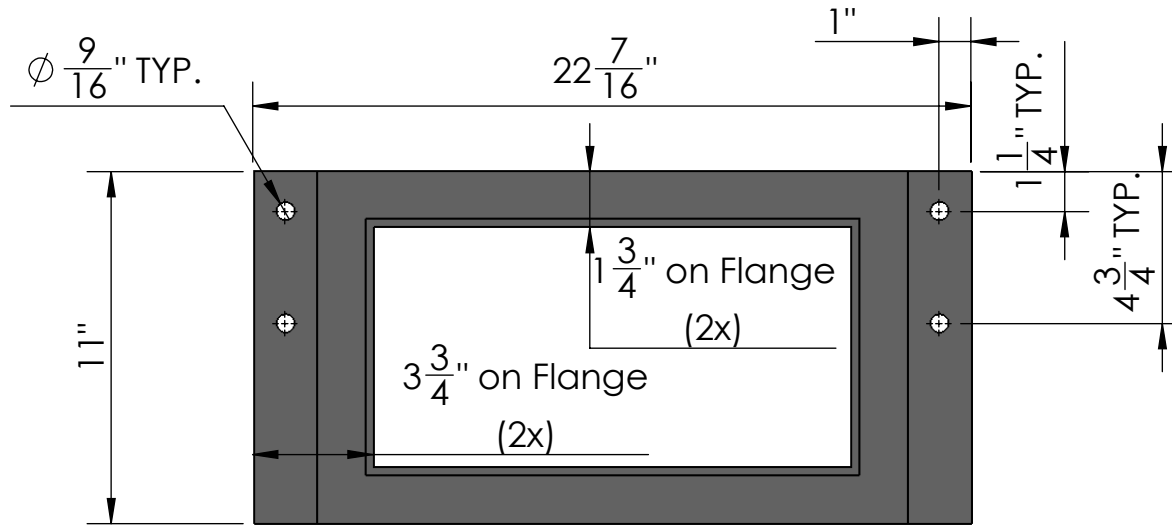
Weight: XX.X lbs.  
Edge Thickness: 1.500"  
Product ID: CURBIN3-18

Free Area (approx): XX.XX"sq (XX.X%)  
Gallon/ Min (approx): sq area x FDA x1.31= GPM  
Drawing Name: 18" Curb Inlet - Custom "E" Frame

By: MS Date: 10/31/19  
Job No: XXXXXXXX Scale: NTS  
© Registration: XX-1-XXX-123

**SIDE VIEW**

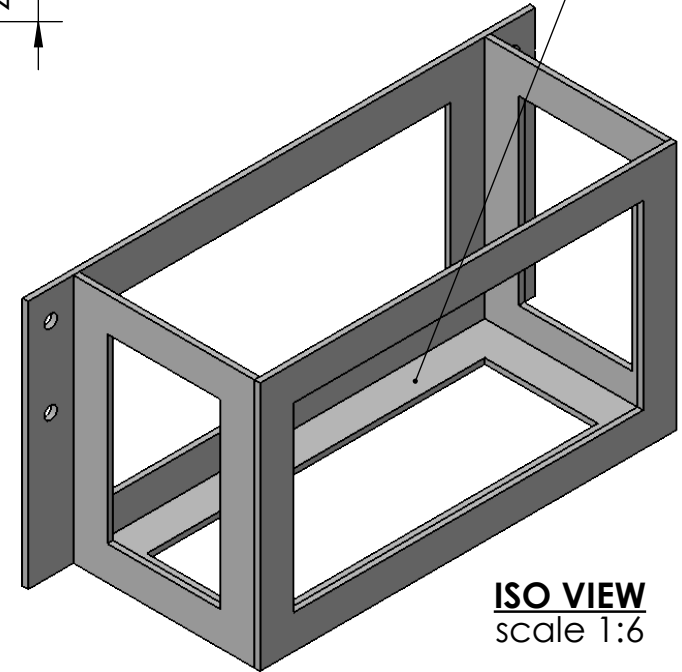
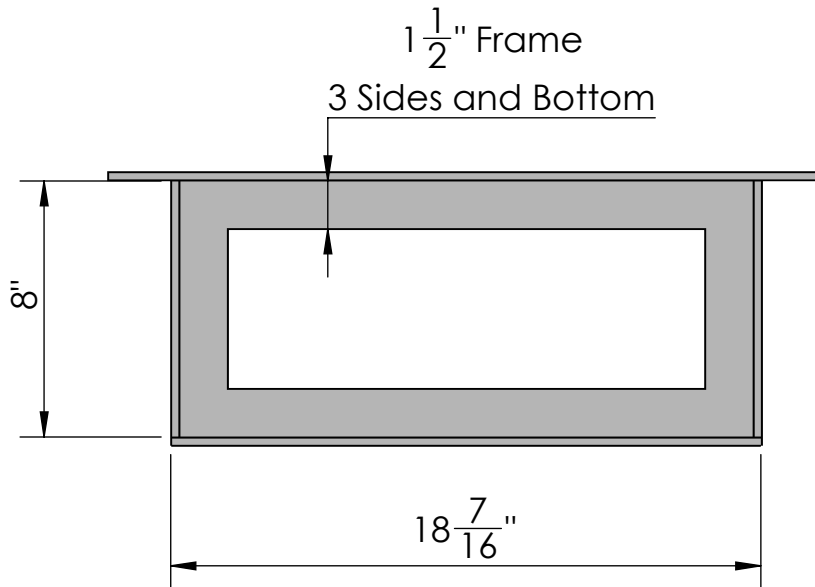
scale 1:6



Bottom Plate Welded  
Flush with Flange

**TOP VIEW**

scale 1:6



**ISO VIEW**  
scale 1:6

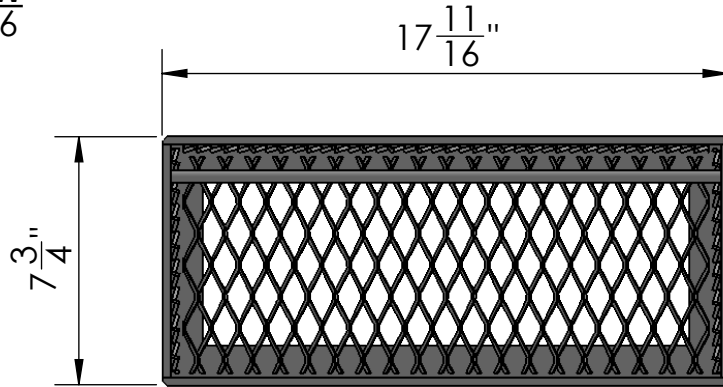
**NOTES:**

1. All Sheet Metal 1/4" Stainless Steel
2. All Welds Must be Clean
3. Ships in 1 piece.
4. Due to Fab inconsistencies, all dimensions are nominal.

Made in USA ©2019 Iron Age Designs

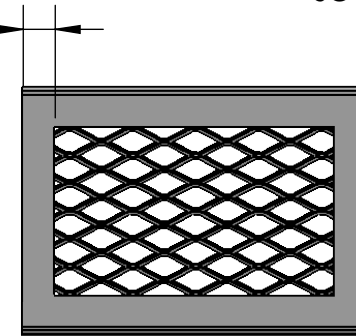
18" Curb Inlet - Cage

**TOP VIEW**  
scale 1:6



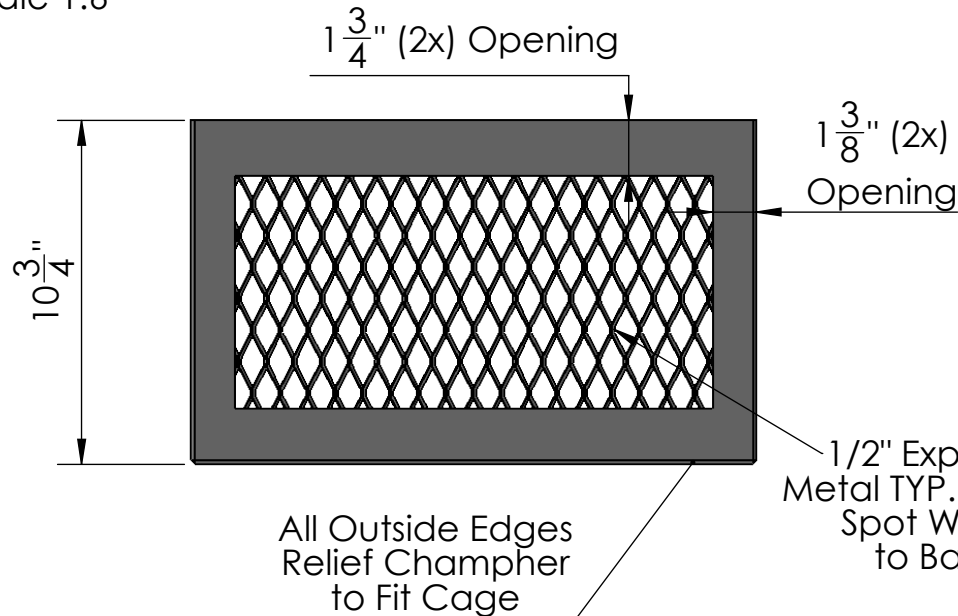
1" TYP. Opening  
3 Sids & Bottom

**END VIEW**  
scale 1:6

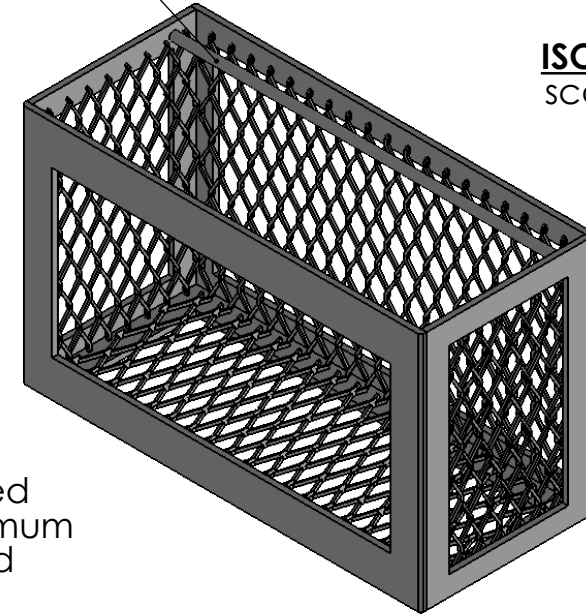


3/8" Round Bar  
Handle  
Welded in Approx.  
Area

**OPEN SIDE VIEW**  
scale 1:6



**ISO-VIEW**  
scale 1:6

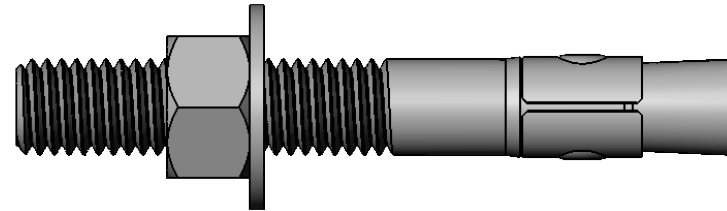
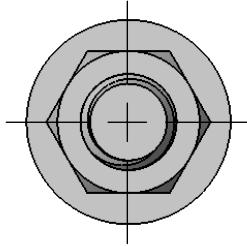


**NOTES:**

1. All Sheet Metal Thickness 1/4"
2. Ships in 1 piece.
3. Due to Fabrication inconsistencies, all dimensions are nominal.

Made in USA ©2019 Iron Age Designs

**18" Curb Inlet - Basket**



**QTY. 4**  
**1/2"-13 x 2.5"**  
**Concrete Anchor**

**NOTES:**

1. Ships in 4 piece.

Made in USA

©2019 Iron Age Designs

**18" Curb Inlet - Cage - Concrete Anchor**