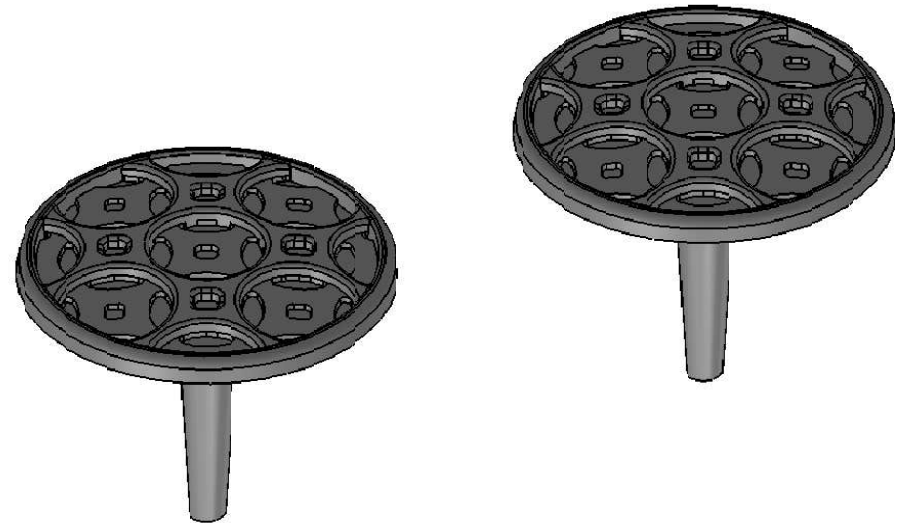
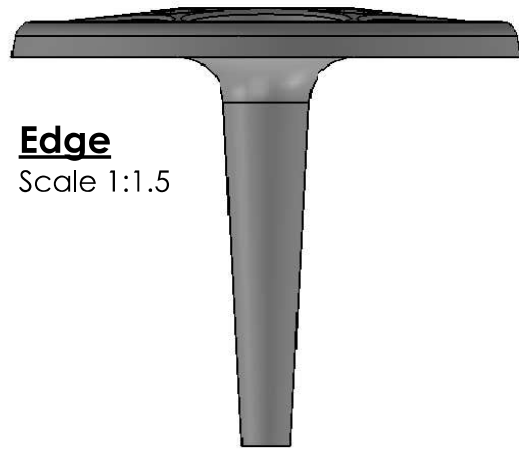
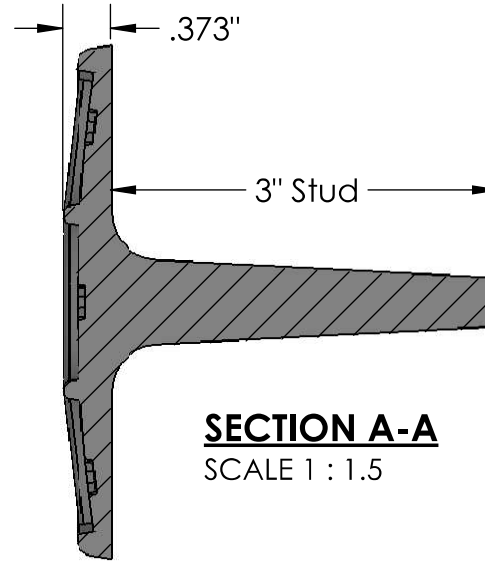
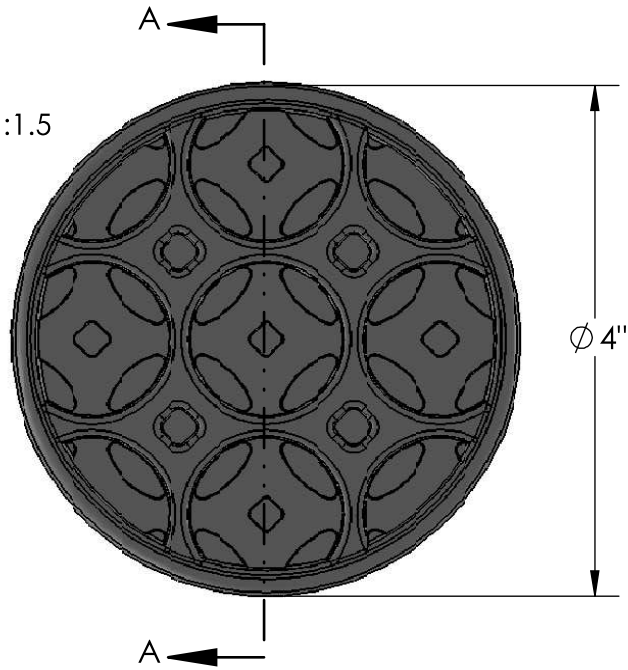


**Top**  
Scale 1:1.5



**IRON AGE** 2104 SW 152nd St #4 TEL 206.276.0925  
**DESIGNS** Burién, WA 98166 FAX 206.257.0318  
 www.ironagedesigns.com

Interlaken 4" Dia. Heel-Proof  
 Raised Pavement Marker

DWG. NO. INT.4dia\_Parking Nail

Drawn by: JH  
 Date: 11/3/15  
 Scale: Not to Scale

**NOTES:**

1. Material: cast ductile iron
2. Finish: Natural
3. Edge thickness: 3/8"
4. Stud style may vary
5. Weight approx. N/A
6. Due to casting inconsistencies all dimensions are nominal