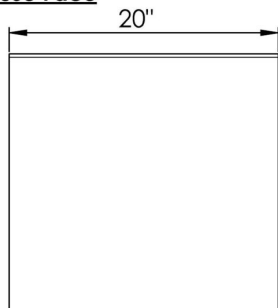
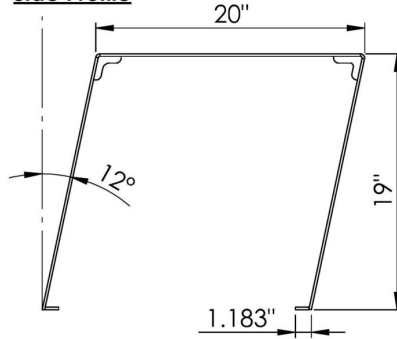


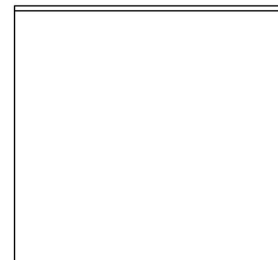
**Obtuse Face**



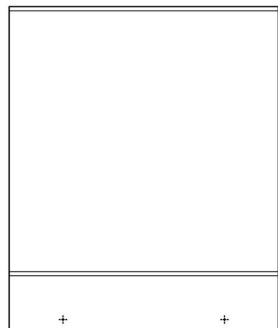
**Side Profile**



**Acute Face**

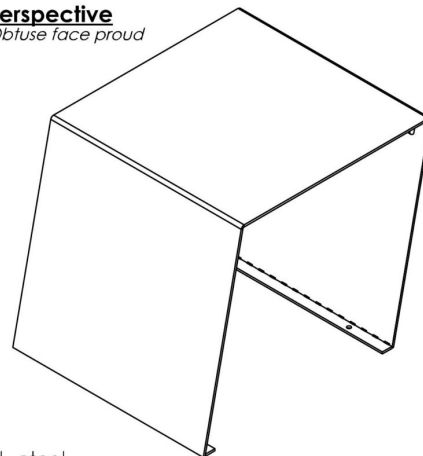


**Top**



**Perspective**

*Obtuse face proud*



**NOTES:**

1. Material: mild steel
2. Finish: Powdercoat; Color TBD
3. Standard thickness: 3/16"
4. No openings larger than 1 1/2"
5. Weight approx. N/A
6. Due to casting inconsistencies all dimensions are nominal

 **IRON AGE** 2104 SW 152nd St. #4 TEL 206.276.0925  
 Burien, WA 98166 FAX 206.257.0318  
 DESIGNS www.ironagedesigns.com

**Formato Solid 19" Cube Seating**

JOB NO.

Drawn by: JH

DWG. NO. 001-NAME.I.SIZE

Date: 1/16/14

Scale: NTS

© 2014 Iron Age Designs

Registration Number:  
VA 1-964-337