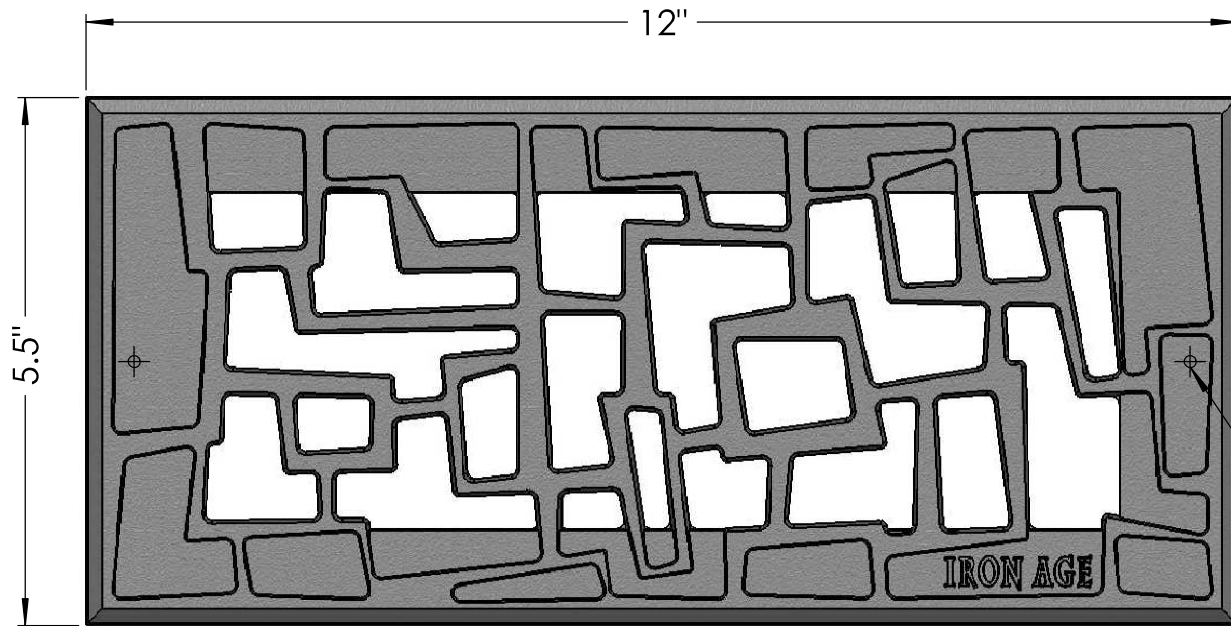
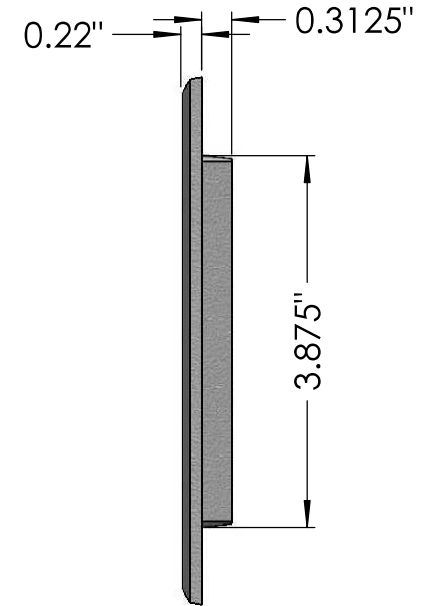


TOP

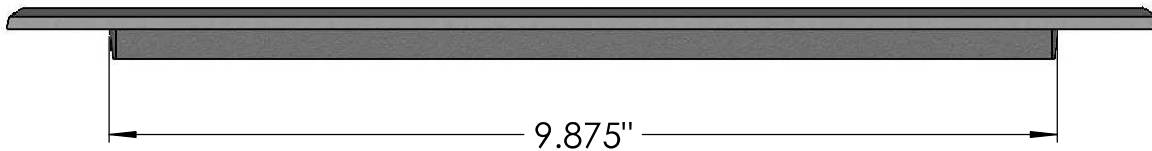


(2X) drill points, on rear,
to locate screw holes



END

EDGE



IRON AGE
DESIGNS

2104 SW 152nd St #4 TEL 206.276.0925
Burien, WA 98166 FAX 206.257.0318
www.ironagedesigns.com

NOTES:

1. Material: cast ductile iron
2. Finish: Baked on oil or powder coat
3. Fits 4"x10" opening, Free area = 21" sq (52.5%)
4. Approx 2.7 lbs.
5. Damper available separately

Tenino 4"x10" Register Cover

JOB NO.

Drawn by: CD

DWG. NO.

N.04-TEN.reg.4x10

Date: 3/28/17

Scale: NTS

© 2017 Iron Age Designs