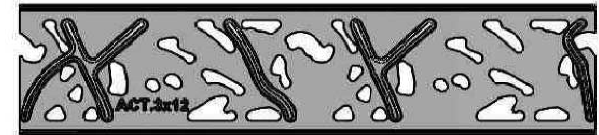
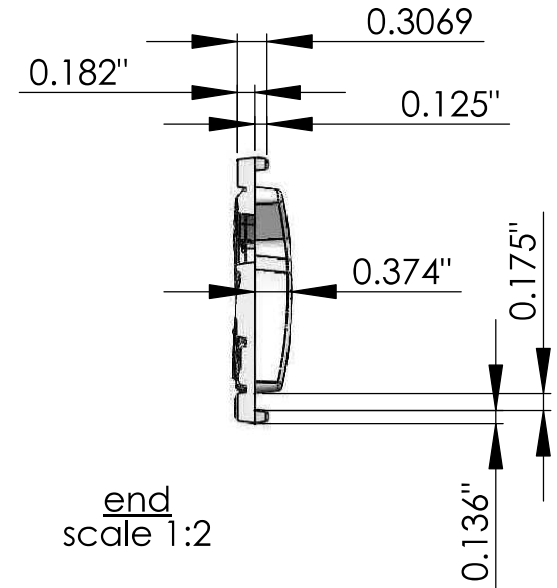
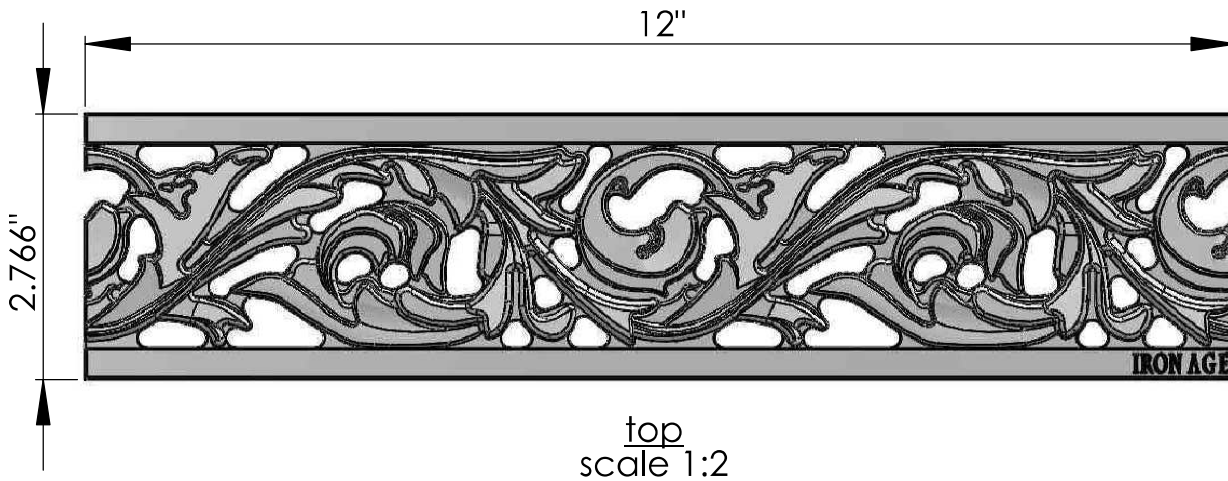
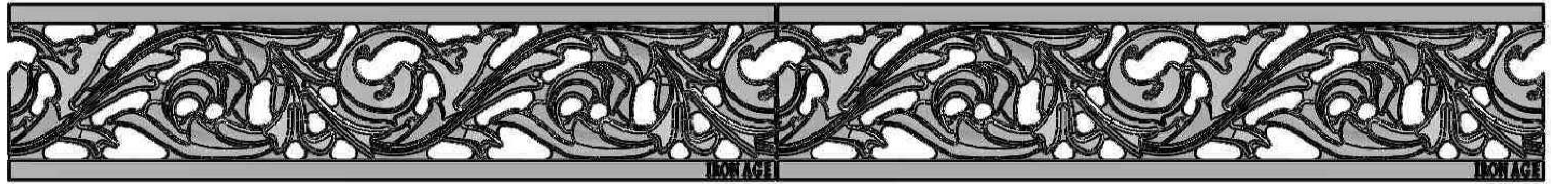


2 grates arrayed  
scale 1:3



edge  
scale 1:2

rear  
scale 1:4

**IRON AGE** 2104 SW 152nd St.# 4 TEL 206.276.0925  
**DESIGNS** Burien, WA 98166 FAX 206.257.0318  
 www.ironagedesigns.com

Acanthus 3"x12" Trench Grate

JOB NO. Drawn by: CD  
 DWG. NO. ACT.N.3x12 Date: 8/1/12  
 Scale: NTS

**NOTES:**

1. Material: cast ductile iron
2. Finish options
3. Fits NDS® Mini-Channel
4. Due to casting inconsistencies all dimensions are nominal