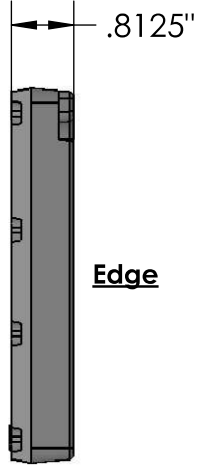
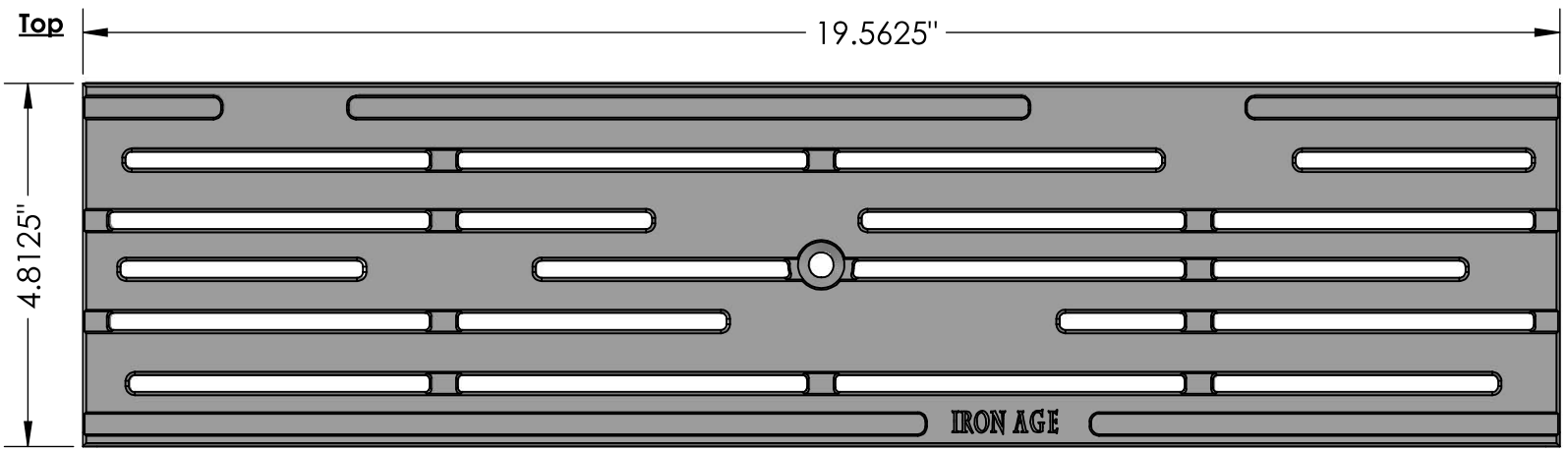
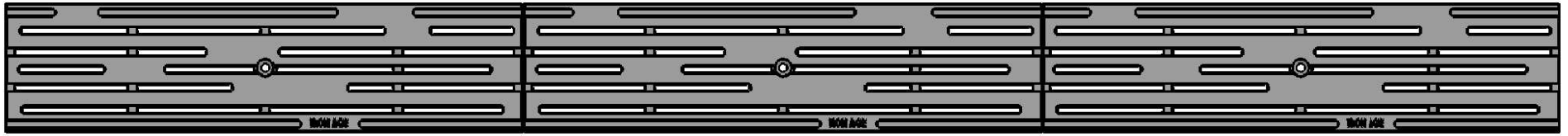
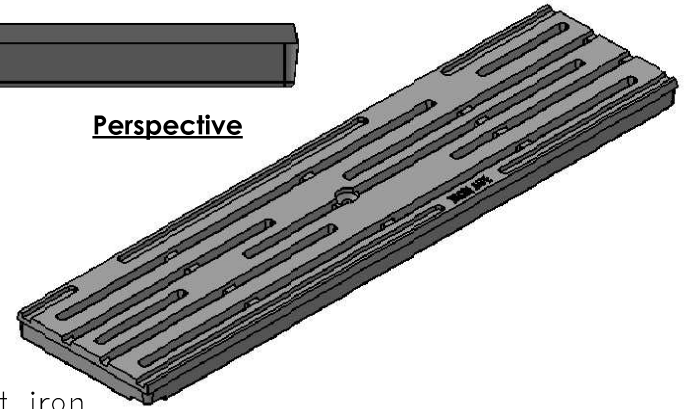


Array



Side



Perspective



IRON AGE 2104 SW 152nd St #4 TEL 206.276.0925
 DESIGNS Burién, WA 98166 FAX 206.257.0318
 www.ironagedesigns.com

Rain 5"x20" Heel-Proof Trench Grate

JOB NO. _____ Drawn by: JH
 DWG. NO. 01-RAI.A.5x20 Date: 12/1/15
 Scale: Not to Scale

NOTES:

1. Material: cast iron
2. Finish: Natural
3. Edge thickness: 13/16"
4. Fits ABT® PolyDrain®, ACO™ K100/S, MEA® 1000 Series
5. Heel-Proof: No openings greater than 1/4"
6. Weight approx. < 8.4 lbs / Free Drain Area: 18.2%
7. Due to casting inconsistencies all dimensions are nominal